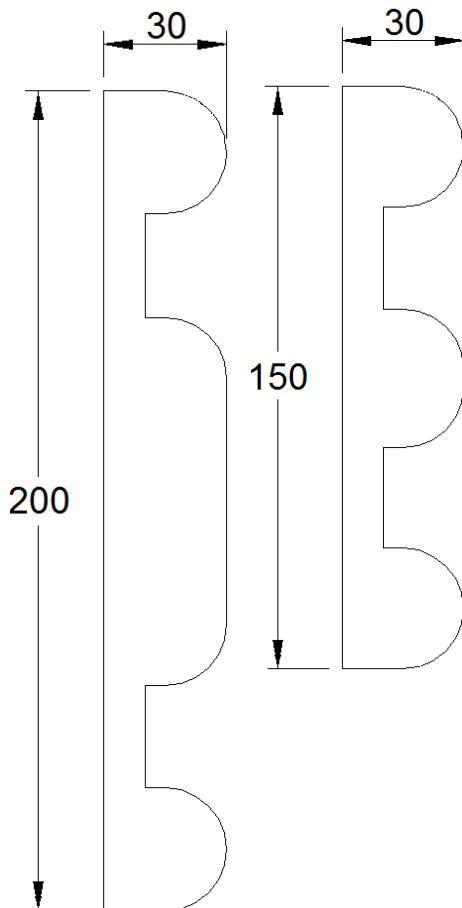


Installation Instructions

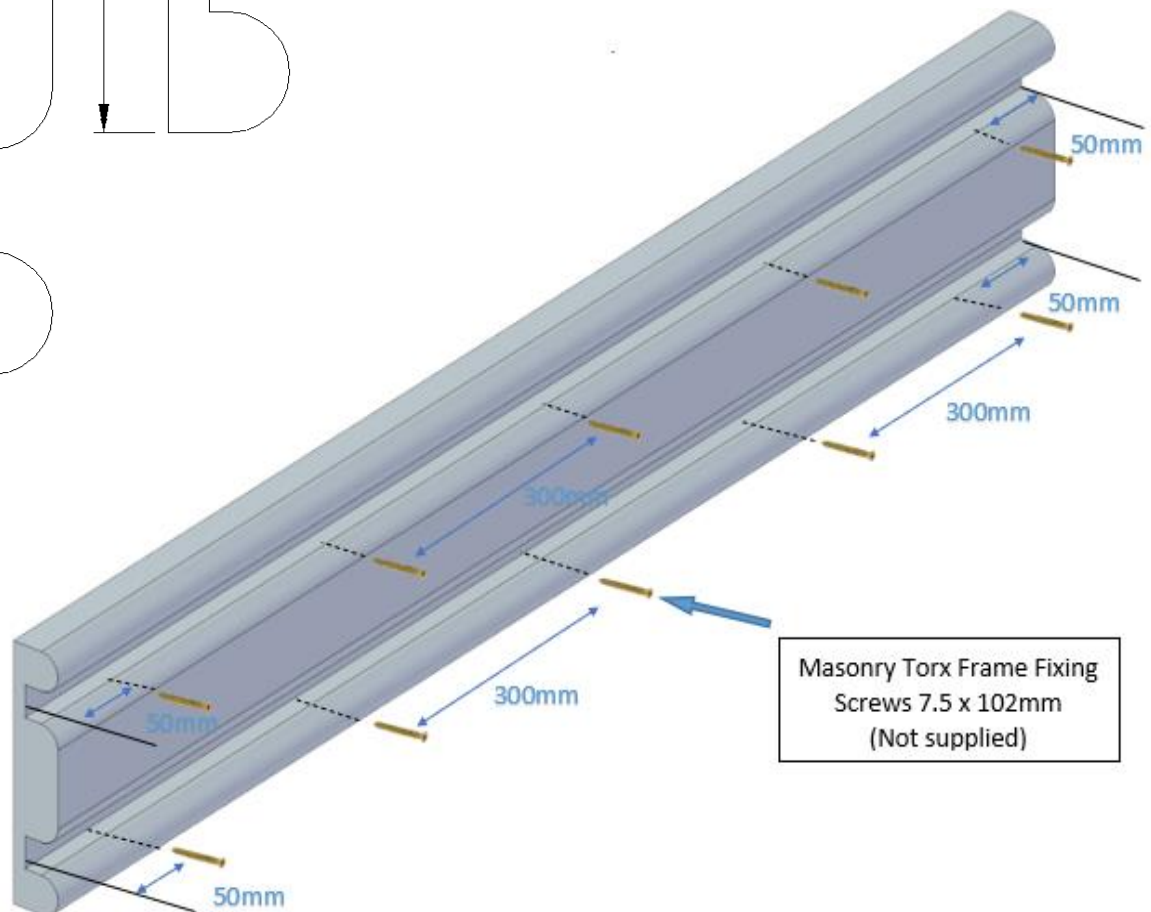
WGR Rubber Wall Guards WGR200E, WGR150E & WGR60B

Data Sheet: Page 1 of 2 DW/BB May 2023

WGR200E & WGR150E (E-Fender)



1. Cut the Wall Guard to the correct length using a sharp bladed tool.
2. Mark the Wall Guard for holes at 50mm from each end, along the upper and lower channels. Also mark holes evenly along the length at spacings of approximately 300mm but no greater than 400mm.
3. Drill 4mm holes through the E-Fender at each one of the marked positions.
4. Using a laser level, establish the line indicating where the top of the wall guard will sit against the wall.
5. Position the Wall Guard against the wall using a straight edge support to prevent sagging as it is used as a template for marking the position of the fixing point holes in the wall.
6. Remove the Wall Guard and drill 6.5/7mm holes in the brick/block wall ready for appropriate fixings.
7. The fixings recommended for use with both Wall Guards are Masonry Torx Frame Fixing Screws 7.5 x 102mm. A loose fit of all the fixings to a depth of approximately half their screw depth is recommended to check for correct alignment before fully tightening.

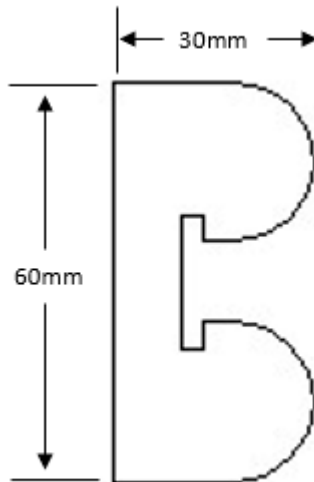


Installation Instructions

WGR Rubber Wall Guards WGR200E, WGR150E & WGR60B

Data Sheet: Page 2 of 2 DW/BB May 2023

WGR60B (B-Fender)



1. Cut the Wall Guard to the correct length using a sharp bladed tool.
2. Mark the Wall Guard holes at 50mm from each end, along the central channel. Also mark holes evenly along the length at spacings of approximately 300mm but no greater than 400.
3. Drill 4mm holes through the B-Fender at each one of the marked positions.
4. Using a laser level, establish the line indicating where the top of the wall guard will sit against the wall.
5. Position the Wall Guard against the wall using a straight edge support to prevent sagging as it is used as a template for marking the position of the fixing point holes in the wall.
6. Remove the Wall Guard and drill 6.5/7mm holes in the brick/block wall ready for appropriate fixings.
7. The fixings recommended for use are Masonry Torx Frame Fixing Screws 7.5 x 102mm. A loose fit of all the fixings to a depth of approximately half their screw depth is recommended to check for correct alignment before fully tightening.

